



Tubocolor Range

A collection of quality grab rails, shower rails, shower seats and bathroom accessories

Intastop is Ponte Giulio's exclusive distributor of Grab Rails within the contracts market

Intastop and Ponte Giulio have formed a new partnership with the Tubocolor range of products to strengthen and complement the existing range of wall, corner and door protection systems.



As a market leader with over 25 years experience protecting doors, people, and places for healthcare, public buildings, carehomes and education, Intastop is your ideal partner. We provide the solutions to satisfy a range of wall protection requirements for your buildings.



Ponte Giulio are a leading provider of solutions for a safe bathroom with over 45 years experience in providing specialist products.



Contents



Tubocolor Grab Bar Range

page 06



Shower & Bath Seats

page 10



Bathroom Accessories

page 16

Tubocolor

Range

The Tubocolor range of bathroom products offers a modern, stylish solution for accessible environments with safety and comfort at the forefront of their design.

The Tubocolor range includes:

- Grab Rails
- Shower Rails
- Shower Seats
- Bathroom Accessories

When combined together elements of the Tubocolor range can be combined to provide an accessible solution in line with the requirements of the Building Regulations 2010 - Applied Document M 'Access to and use of Buildings'.



Why choose our Tubocolor Range?

The Tubocolor Grab Rail range is suitable for both internal and external walls. Tubocolor is warm-to-the-touch and non-slip, offering a safe solution for accessibility.

BioCote antimicrobial protection



Ponte Giulio uses "BioCote" technology on its products to offer improved hygiene. BioCote technology protects product surfaces, by reducing the spread of microbes, including bacteria, mould and fungi.

- **Kills 80% of microbes within 15 minutes**
- **Kills up to 99.9% of microbes within 2 hours**
- **Will last the lifetime of the product**
- **Effective against bacteria, fungi & some viruses**

Durable high quality finish

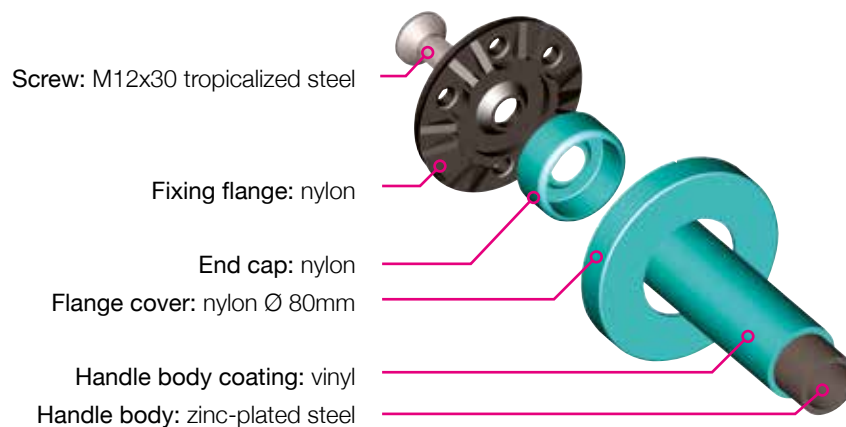


Ponte Giulio products are tested for quality and durability, in its own laboratories and using independent organizations such as TÜV SÜD. Depending on the type of product, additional testing is carried out on static strength, stress fatigue and resilience in varying temperatures.

- **Non-slip**
- **Warm-to-the-touch**
- **Range of colours**
- **Smooth finish**
- **Self-extinguishing**
- **Recyclable**
- **Electrically insulated**
- **TÜV certified**
- **Bariatric range available**



This symbol indicates that all products in the Tubocolor range can be recycled at the end of the products life cycle.



Colour availability



The colours shown above are for representation only. An exact colour match can only be achieved by requesting physical colour swatches from Intastop.

Safety Grab Rails & Adjustable Support Arms

Introduction

A collection of safety grab rails suitable for use in a range of different bathroom applications. These products offer a modern, stylish design solution for improving accessibility and providing support when required.

Choice of Profile

- Straight
- Angled
- Support Arm

Product Details

Material

Galvanised steel with a non-slip, warm-to-the-touch vinyl cover (33mm grip diameter)

Hygiene

BioCote technology protects product surfaces by reducing the spread of bacteria. Available in a full range of colours.

Fixing

Wall fixings are concealed with a nylon cover to provide a seamless finish. Additional fixings may be required for some substrates.



Colour availability

B1 Blue



B2 Light Blue



D1 Black



D2 Grey



D4 Dark Grey



G1 Green



G2 Light Green



I1 Avorio



I2 Biscuit



P4 Prune



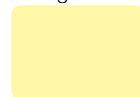
R7 Ruby Red



W1 White



Y3 Light Yellow

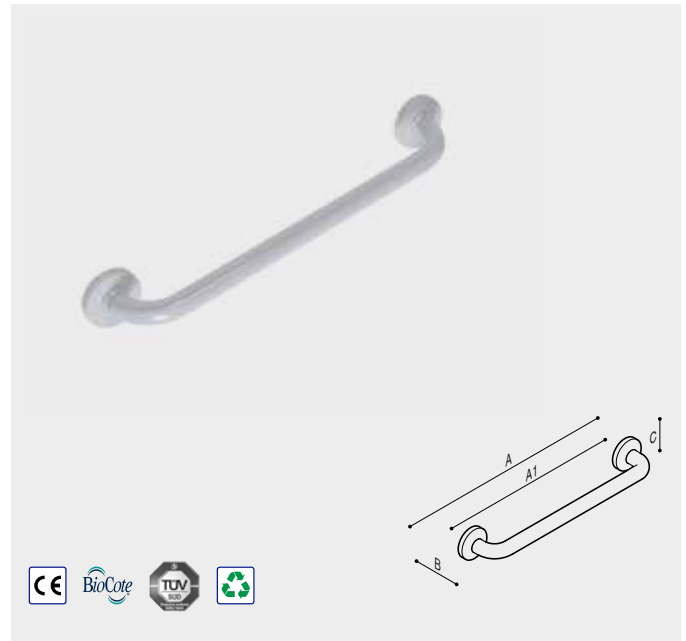


The colours shown above are for representation only. An exact colour match can only be achieved by requesting physical colour swatches from Intastop.

Safety Grab Rail - Straight

- Ideal for providing general support and available in a range of sizes
- Can be used for various applications (see p. 18-20 to help meet guidance in Approved Document M)

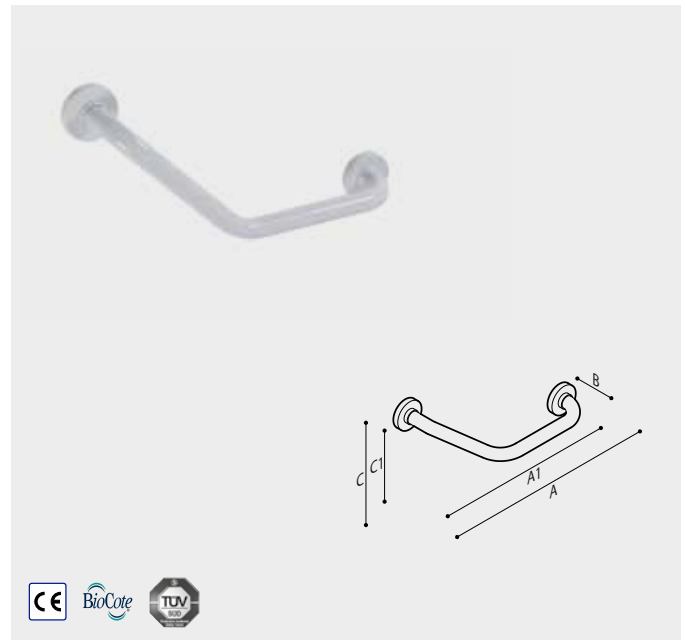
Code	Overall dimensions [AxBxC] [mm]
G01JAS01xx	300x100x80
G01JAS02xx	400x100x80
G01JAS03xx	500x100x80
G01JAS04xx	600x100x80
G01JAS05xx	700x100x80
G01JAS06xx	800x100x80
G01JAS07xx	900x100x80
G01JAS44xx	980x100x80



Safety Grab Rail - 135°



- Angled grab bar is ideal for providing additional support where needed.

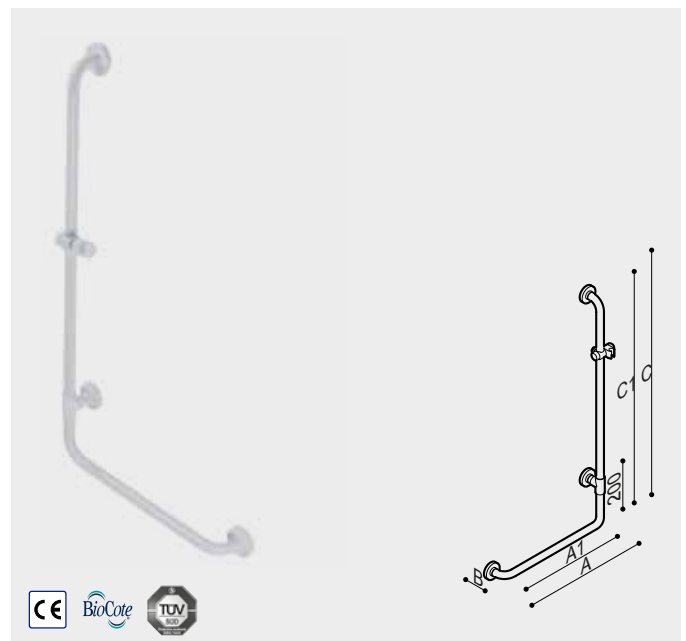
Code	Overall dimensions [AxBxC] [mm]
G01JAS08xx	550x100x295
G01JAS20xx	694x100x334



Safety Grab Rail, with shower holder - 90°

- Ideal for shower applications.
- Features ergonomically designed shower head holder with adjustable height feature and simple one-handed operation
- Provides vertical and horizontal support for users.
- Available in both left and right hand profiles.

Code	Shape	Overall dimensions [AxBxC] [mm]
G01JOR01xx	 Right hand side	660x100x1200
G01JOL01xx	 Left hand side	660x100x1200



Tubocolor Range

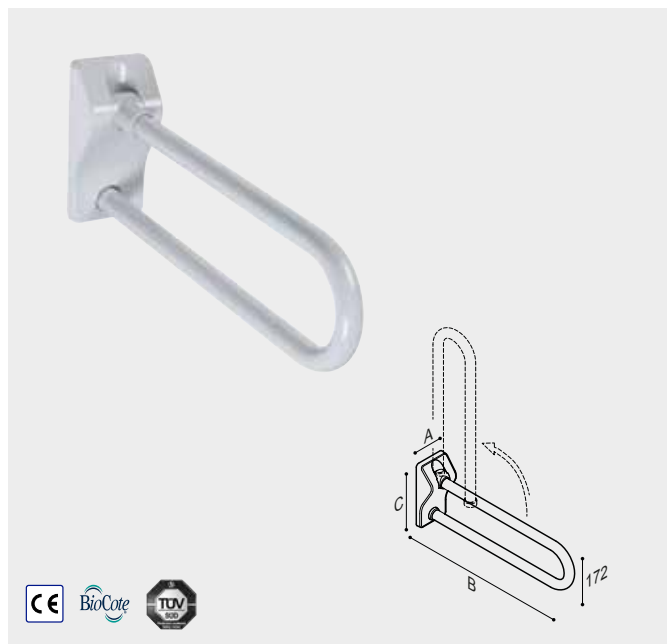
Adjustable Support Arm

- Foldable support arm improves accessibility and creates space when not in use
- Adjustable resistance for added safety
- Available in a range of sizes
- Can be supplied with support leg - leg only available in white colour
- Only available in Blue (B1), Black (D1), Grey (D2), Dark grey (D4), Biscuit (I2), Prune (P4), Ruby red (R7), White (W1) and Light yellow (Y3)

Code Overall dimensions [AxBxC] [mm]

G41JCS09xx 113x600x234

G41JCS10xx 113x700x234

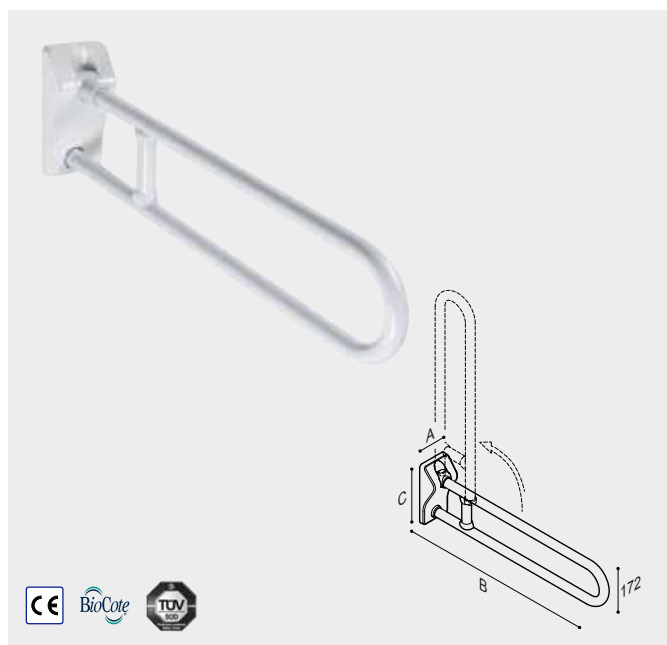


Adjustable Support Arm

- Foldable support arm improves accessibility and creates space when not in use
- Adjustable resistance for added safety
- Can be supplied with support leg - leg only available in white colour
- Only available in Blue (B1), Black (D1), Grey (D2), Dark grey (D4), Biscuit (I2), Prune (P4), Ruby red (R7), White (W1) and Light yellow (Y3)

Code Overall dimensions [AxBxC] [mm]

G41JCS47xx 113x850x234

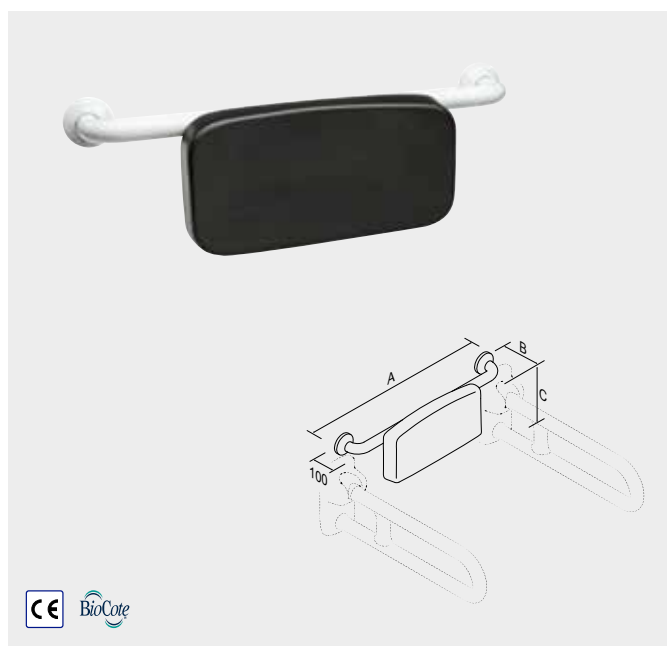


Backrest Support System

- Backrest support pad is installed in a central position above the toilet unit and between the wall plates of the support arms
- The padded backrest is a polyurethane material available in black
- The backrest is mounted onto a rail which is then mounted onto the wall. The rail is available in the full colour range (see colour range on p.5)
- Dimensions of backrest support pad: 400mm (L) x 200mm (H)
- Extended grab bars are available. Price base on application

Code Overall dimensions [AxBxC] [mm]

G27JDS29xx 700x156x225





Shower Seats & Bath Seats

Introduction

A selection of shower & bath seats suitable for use in a range of different bathroom applications. These products offer a modern, stylish design solution for improving accessibility, support and comfort to users.

Choice of Profile

- Stool
- Removable Seats
- Foldable Seats

Product Details

Material

Galvanised steel with non-slip, warm-to-the-touch vinyl cover.

Hygiene

BioCote technology protects product surfaces by reducing the spread of bacteria.

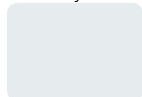
Colour

Available in 7 colours – White (W1), Grey (D2), Dark Grey (D4), Light Yellow (Y3), Biscuit (I2), Ruby Red (R7) and Prune (P4)



Colour availability

D2 Grey



D4 Dark Grey



I2 Biscuit



P4 Prune



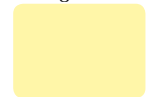
R7 Ruby Red



W1 White



Y3 Light Yellow

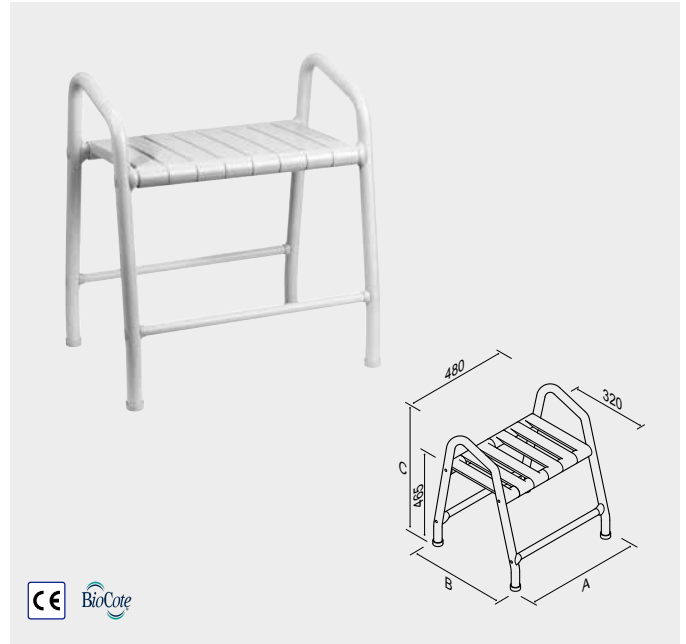


The colours shown above are for representation only. An exact colour match can only be achieved by requesting physical colour swatches from Intastop.

Bathroom Stool

- Features support side handles for added safety
- Stool is available in one universal size
- Maximum weight capacity – 150 kg

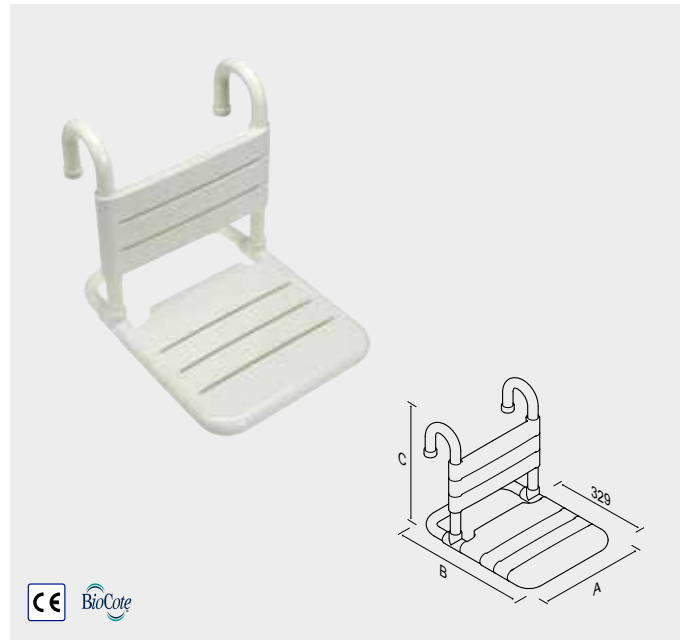
Code	Overall dimensions [AxBxC] [mm]
G01JDS44xx	590x435x640



Removable Shower Seat

- Includes backrest for additional support and comfort
- Can be removed and stored when not in use
- Maximum weight capacity – 150 kg

Code	Overall dimensions [AxBxC] [mm]
G40JDS17xx	334x520x455



Removable Shower Seat, with folding feature

- Includes backrest for additional support and comfort
- Folding feature for optimising space when not in use
- Can also be removed and stored when not in use
- Maximum weight capacity – 150 kg

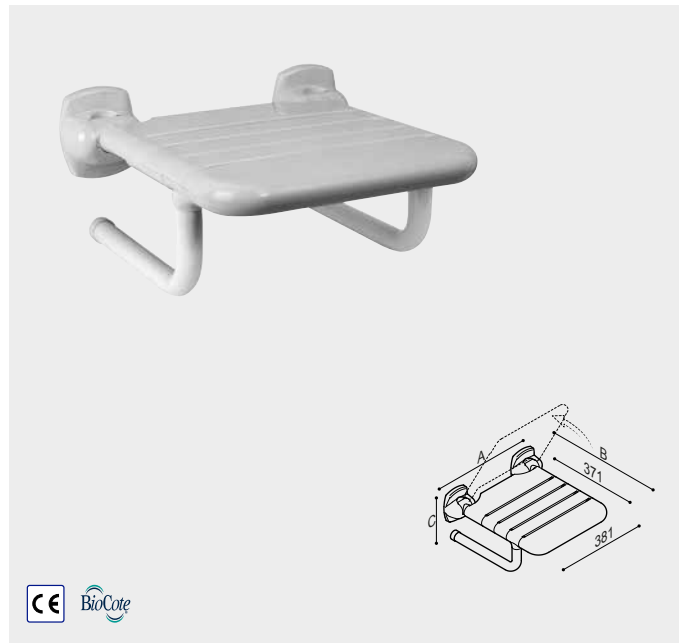
Code	Overall dimensions [AxBxC] [mm]
G40JDS40xx	381x568.5x449.5



Foldable Shower Seat

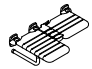

- Folding feature for optimising space when not in use
- Fixed to the wall
- Maximum weight capacity – 150kg

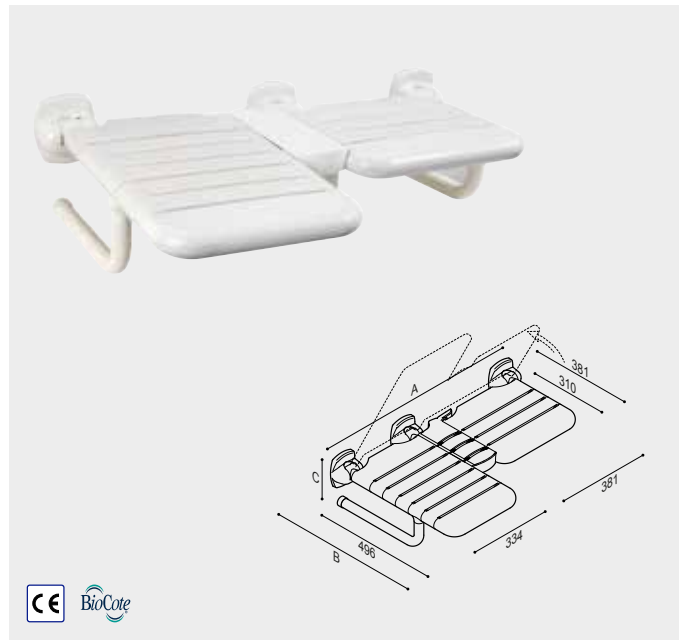
Code	Overall dimensions [AxBxC] [mm]
G27JDS20xx	448x444x234



Foldable Doubled Shower Seat

- Provides additional support
- Folding feature for optimising space when not in use
- Available in both left and right hand profiles
- Fixed to the wall
- Maximum weight capacity – 150kg
- Only available in Grey (D2), Dark grey (D4), Biscuit (I2), Prune (P4), White (W1) and Light yellow (Y3)

Code	Shape	Overall dimensions [AxBxC] [mm]
G02JDR29xx	 Right hand side	867x568x234
G02JDL29xx	 Left hand side	867x568x234



Foldable Shower Seat with backrest

- Product meets the guidance in Approved Document M (see p. 19)
- Folding feature for optimising space when not in use
- Fixed to the wall
- Maximum weight capacity – 150kg

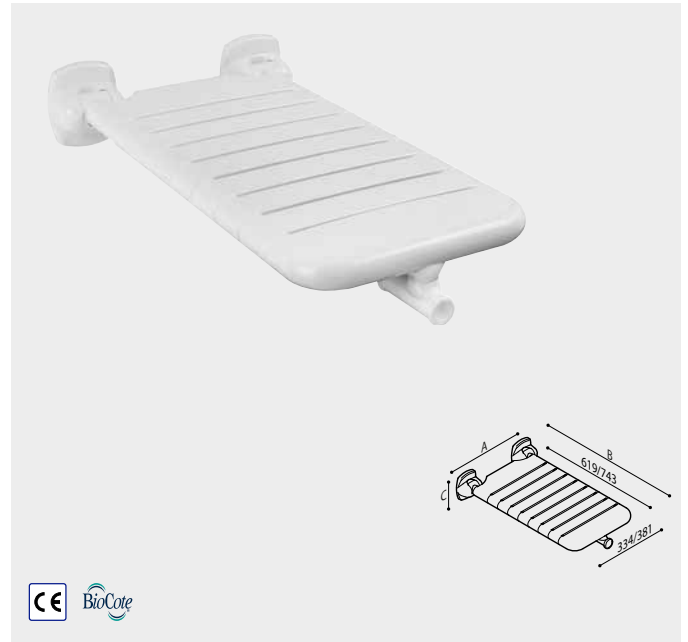
Code	Overall dimensions [AxBxC] [mm]
G30UHS03	420.5x650x985



Foldable Bath Seat

- Folding feature allows for bath to be used with or without seat
- Fixed to the wall
- Available in a range of sizes
- Maximum weight capacity – 150 kg

Code	Overall dimensions [AxBxC] [mm]
G01JDS37xx	400x710x130.5
G01JDS38xx	400x834x130.5
G01JDS57xx	447x710x130.5
G01JDS58xx	447x834x130.5



Shower Rails

Introduction

A shower rail system suitable for use in most bathroom facilities. Available in a full range of colours to coordinate with other products in the Tubocolor range.

Choice of Product

- L-Shape Shower Curtain Rail
- Ceiling Shower Support Rod

Product Details

Material

Galvanised steel with a vinyl cover (33mm diameter).

Colour

Available in a full range of colours - see below.

L-Shaped Shower Curtain Rail Fixing

Stainless steel screws and plugs are included. Wall fixings are concealed with a nylon cover to provide a seamless finish. Additional fixings may be required for some substrates. Ceiling Shower Support Rod Fixing: no fixings supplied.



Colour availability

B1 Blue



B2 Light Blue



D1 Black



D2 Grey



D4 Dark Grey



G1 Green



G2 Light Green



I1 Avorio



I2 Biscuit



P4 Prune



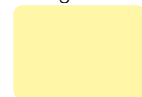
R7 Ruby Red



W1 White



Y3 Light Yellow

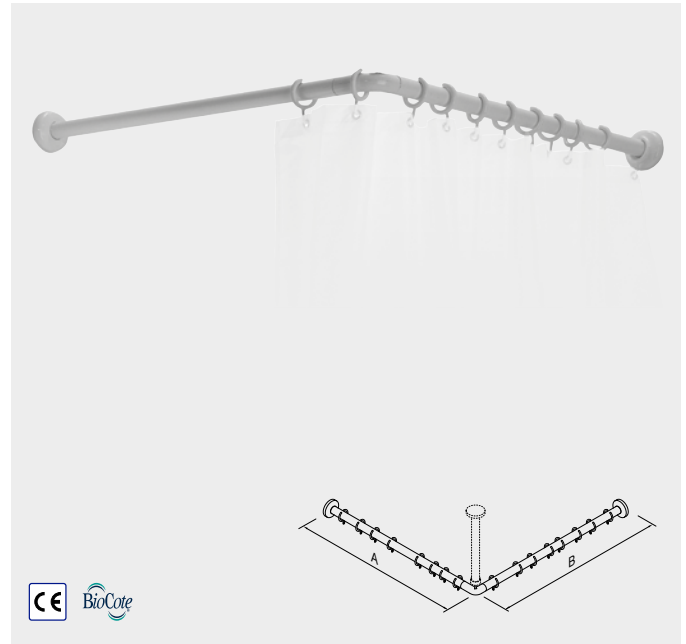


The colours shown above are for representation only. An exact colour match can only be achieved by requesting physical colour swatches from Intastop.

L-Shaped Curtain Rail

- Shower rings are included (individual rings are also available on p. 17)
- Available in a range of sizes
- Shower rings are supplied in a neutral white colour
- Breakaway rings improve safety

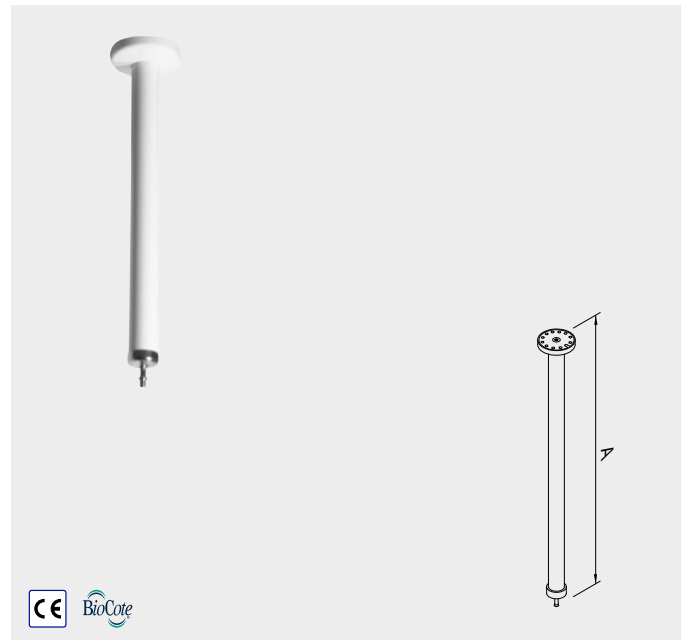
Code	Overall dimensions [AxB] [mm]	Rings
G01JRS11xx	840x840	16
G01JRS12xx	940x940	18
G01JRS13xx	1040x1040	22



Ceiling Shower Rail/Rod Support

- Provides ceiling support for the L-Shaped Shower Curtain Rail.
- Available in a range of sizes

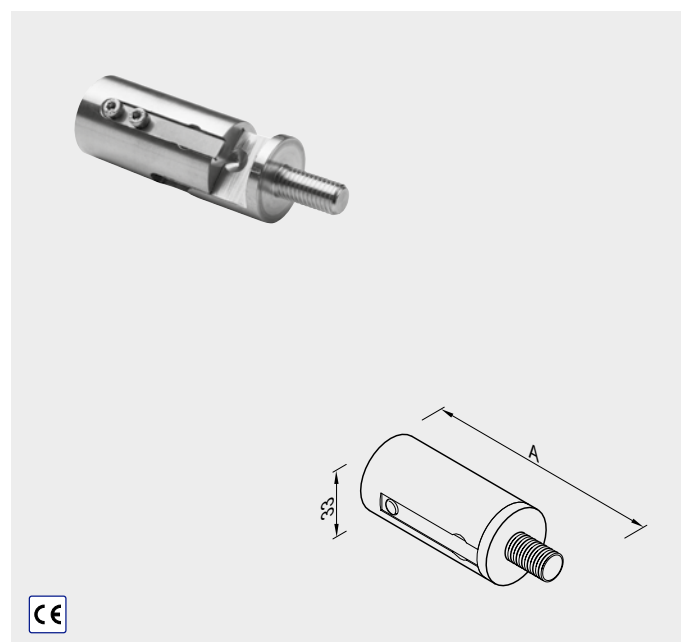
Code	Overall dimensions [A] [mm]
G01JTS10xx	437.5
G01JTS11xx	537.5
G01JTS12xx	637.5
G01JTS13xx	962.5



Detachable joint

Joint for ceiling mounting of shower curtain rods in spring steel and aluminium, suitable for a tensile load of approximately 50 Kilos to reduce the risk of ligature. Expansion bolts included.

Code	Overall dimensions [A] [mm]
Y88JNS17	88



Bathrooms Accessories

Introduction

A selection of accessories to complement other products available within the range. These accessories are ergonomically designed to improve functionality whilst coordinating with the style of the other products in the Tubocolor range.

Material

Product	Material
Shower Head Holder	ABS
Toilet Roll Holder	Polyamide
Mirror Fixing	Polyamide
Shower Curtain Rings	POM



Shower Head Holder

- Ergonomically designed shower head holder with adjustable height feature and simple one-handed operation
- Available in full colour range (see p.5)

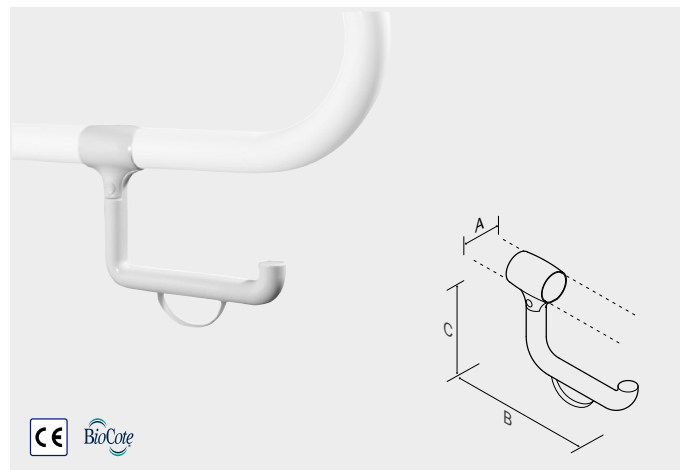
Code	Overall dimensions [AxBxC] [mm]
Y87JOS04xx	95x116x163



Toilet Roll Holder

- Nylon toilet roll holder with PVC clamp fixing
- Coated in BioCote (see p. 5) to reduce to spread of bacteria
- Can be fitted onto Adjustable Support Arm (see p. 7)
- Available in full colour range (see p.5)

Code	Overall dimensions [AxBxC] [mm]
F17AGN03xx	37x175x130



Mirror Fixing

- Suitable for mirrors at 4-6mm thickness
- Stainless steel screws and dowels included
- Available in full colour range (see p. 5)

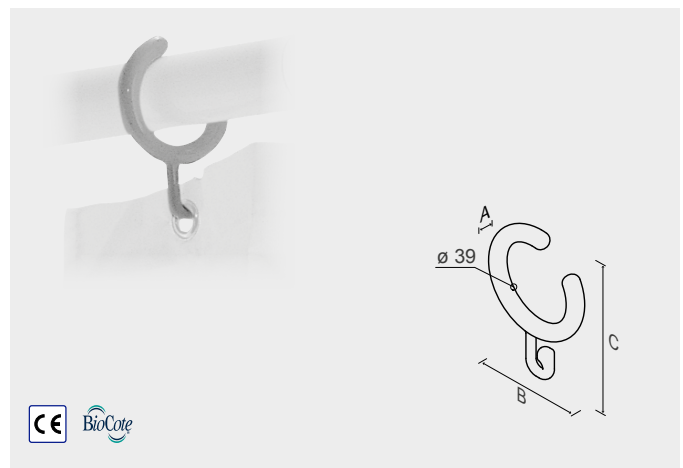
Code	Overall dimensions [AxBxC] [mm]
F17ATN01xx	39x12x63



Shower Curtain Rings

- High performance nylon shower curtain rings offer high rigidity and low friction
- Shower rings are supplied in a neutral white colour
- Breakaway rings improve safety

Code	Overall dimensions [AxBxC] [mm]
Y87JSS03	9.5x57x80



Planning

The practicality of bathroom and toilet areas are often determined by the size and location of the available free space. Careful consideration must be given to many aspects of the planning and equipping of these areas to ensure that the guidelines in Approved Document M of the Building Regulation and British Standards are met. Some of the aspects that need to be considered include: the space of installation, wall strength, colour contrast and location.

Please note this list is not exhaustive.

Specification Guidelines:

The Building Regulations and British Standards

The following pages are extracts from BS8300:2009 + A1:2010. This British Standard is extensively referenced in Approved Document M.

The Building Regulations 2010 – Approved Document M “Access to and use of Buildings” (2004 edition incorporating 2010 and 2013 amendments). The latest version of Approved Document M 2004 is stated ‘for use in England’. Current building standards should be checked at time of specification for Wales, Scotland and Northern Ireland.

Building owners have a legal duty to ensure all people can gain access to and use a building and its facilities. Approved documents are intended to provide guidance and much of the guidance in Approved Document M is based on BS 8300:2001.

For more information, please call us on +44(0)1302 364 666. Our lines are open Monday to Friday between 0800-17.30. Alternatively, please send an email to technical@intastop.com with your query.

Note: Details of standards and guidelines are correct at time of going to print. Current standards should be checked prior to specifying.

Shower System Kit

WC System Kit

The below images are for demonstration purposes only and the products shown may vary from those provided



Shower System Kit

A collection of Tubocolor products designed to create a safe and accessible shower facility. All products featured (excluding shower curtain rings) are available in a range of colours. Alternative sizes are available for both the grab bars and shower rails.



WC System Kit

A collection of Tubocolor products designed to create a safe and accessible toilet facility. All products featured (excluding backrest support pad) are available in a range of colours. Alternative sizes are available in safety grab rails.

Products collection list

Code	Label	Description
G01JAS04xx	1	Safety Grab Rail - Straight (see page 7)
G01JAS44xx	2	Safety Grab Rail - Straight (see page 7)
Y87JOS04xx	3	Shower Holder (see page 17)
G30UHS03	4	Folding Shower seat with backrest rest (see page 12)
G41JCS10xx	5	Adjustable Support Arm (see page 8)
G01JRS12xx	6	L-Shaped Shower Curtain Rail (see page 15)
G01JTS11xx	7	Ceiling support Rod (see page 15)

Products collection list

Code	Label	Description
G01JAS04xx	1	Safety Grab Rail - Straight (see page 7)
F17ATN01xx	2	Mirror Fixings (see page 17)
G41JCS10xx	3	Adjustable Support Arm (see page 8)
G27JDS29xx	4	Backrest Support (see page 8)
G01JAS04xx		Safety Grab Rail - Straight (see page 7) Located on back of door - not shown (see diagram on page 22 for details)

Unisex accessible corner WC

United Kingdom standards

BS 8300:2009 + A1:2010

Design of buildings and their approaches to meet the needs of disabled people.

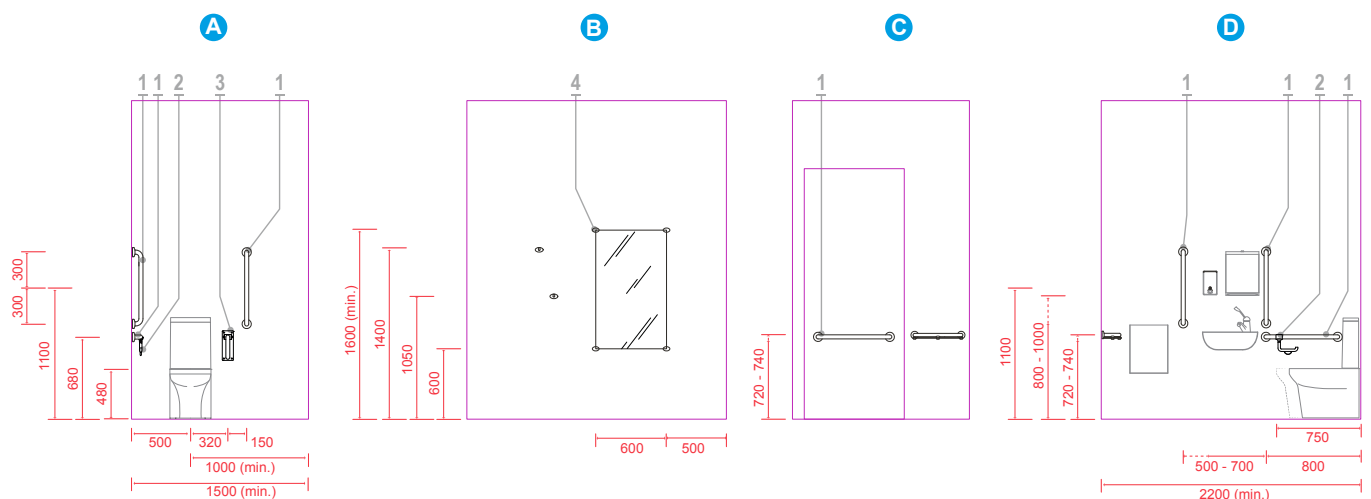
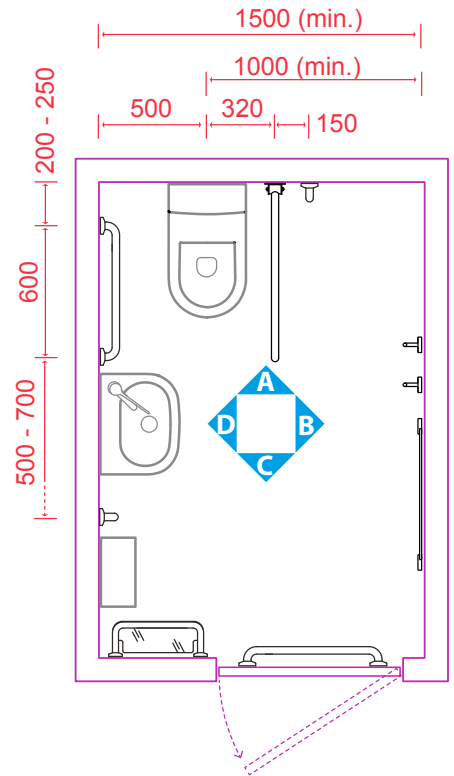
Code of practice

BS 8300 explains how the built environment can be designed to anticipate, and overcome, restrictions that prevent disabled people making full use of premises and their surroundings.

An accessible environment is one which a disabled person can enter and make use of independently or with help from a partner, or assistant, including being able to escape in the event of fire or other emergency.

BS 8300 applies to the following types of buildings:

- Transport and industrial buildings
- Administrative and commercial buildings
- Health and welfare buildings
- Refreshment, entertainment and recreation buildings
- Buildings for worship
- Educational, cultural and scientific buildings
- Dwelling (for access routes only) and other residential buildings, e.g. hostels, hotels, residential clubs, university and college halls of residence nursing homes and prisons.

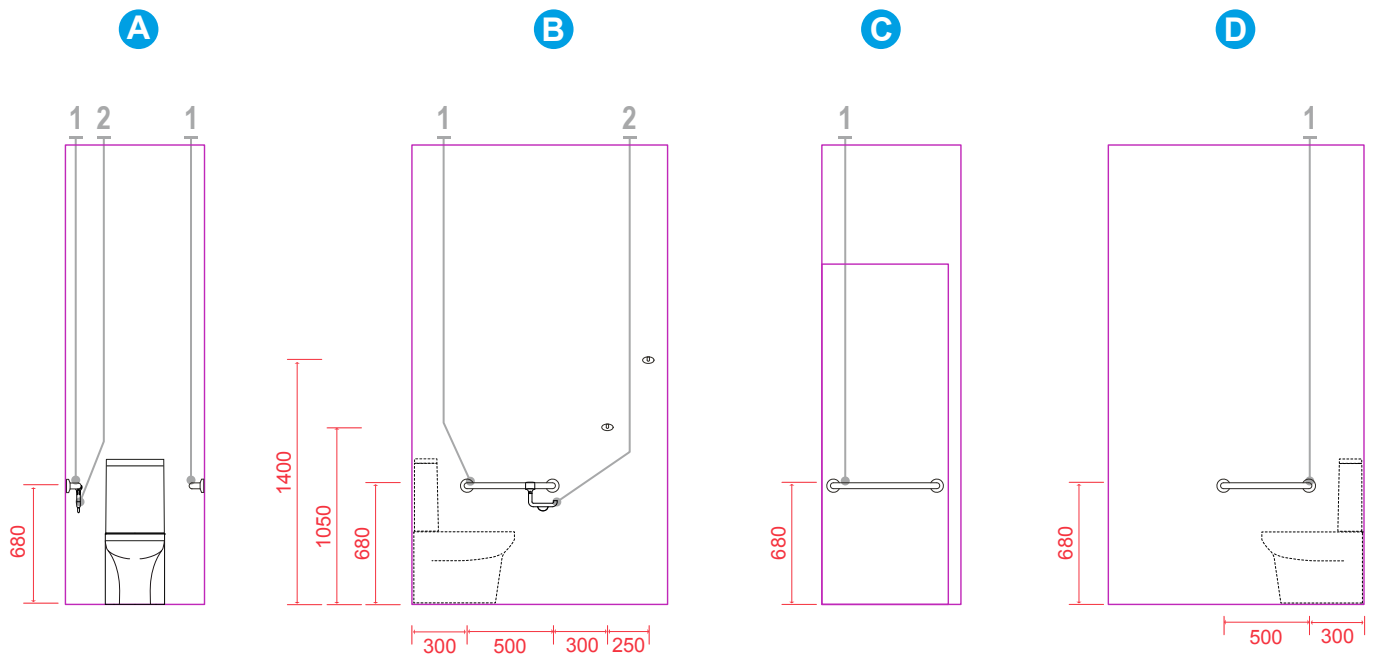
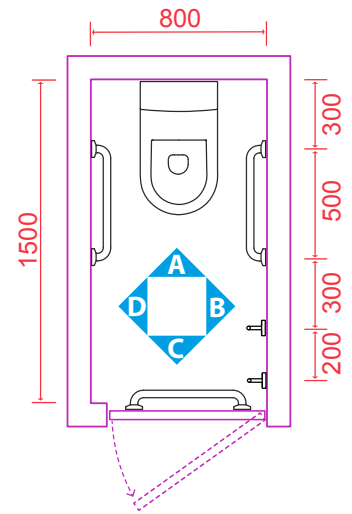


Product used in this configuration

- | | | |
|---|------------|-----------------------------|
| 1 | G01JAS04xx | Safety Grab Rail - Straight |
| 2 | F17AGN03xx | Toilet Roll Holder |
| 3 | G41JCS10xx | Adjustable Support Arm |
| 4 | F17ATN01xx | Mirror Fixings |

WC cubicle for wheel chair access

Recommendations	BS 8300:2009 + A1:2010
Toilet	
Mounting height	Top surface of WC seat 480 mm, WC pan can accept a variable height toilet seat riser
Depth of toilet	750 mm.
Distance to the wall	Centre of WC to wall 500 mm.
Adjustable Support Arm	Adjustable Support Arm provided on the wall side at a distance of 320 mm. from the centre line of WC. Height 680 mm. above floor. Should extend 50-100 mm. beyond the front of the WC. Horizontal support rail on the wall adjacent to the WC 600 mm.
Horizontal grab rail	Mounting height 680 mm. above floor, Length 600mm.. Distance 200-250 mm. from the back wall, clearance 50-60 mm. between the rail and the wall
Vertical grab rail	Length 600 mm., 470 mm. from the WC centre line. Centre line 1100 mm. above floor level
Toilet Roll Holder	Should be suitable for single hand use. Should be easily accessible from a wheelchair, seated on the WC or for a standing person
Shelf	Where a high or low level cistern is used, a shelf 125 - 150 mm deep, preferably 400 mm. wide should be provided preferably to the WC pan, top of surface 950 mm.

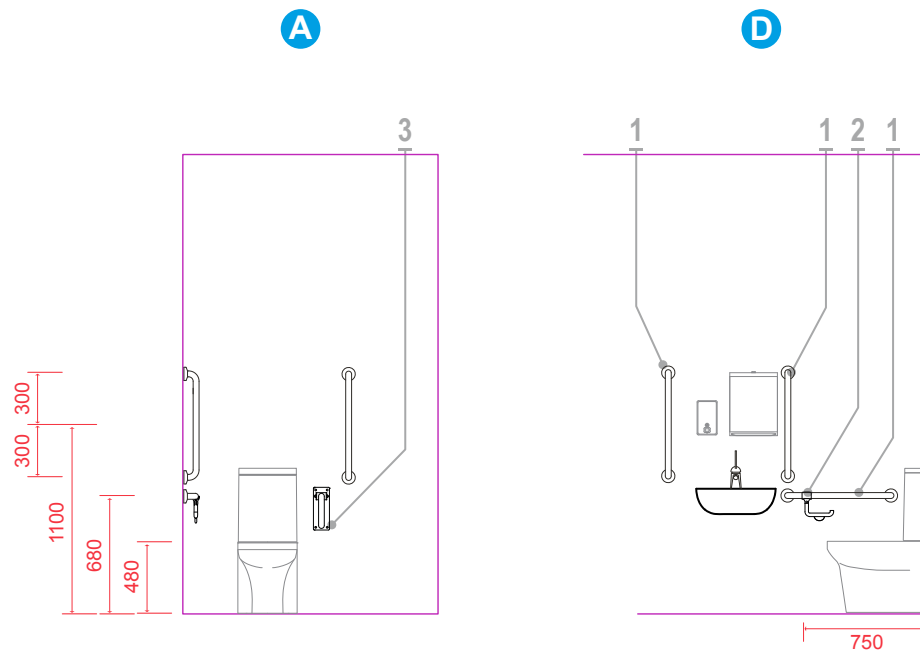
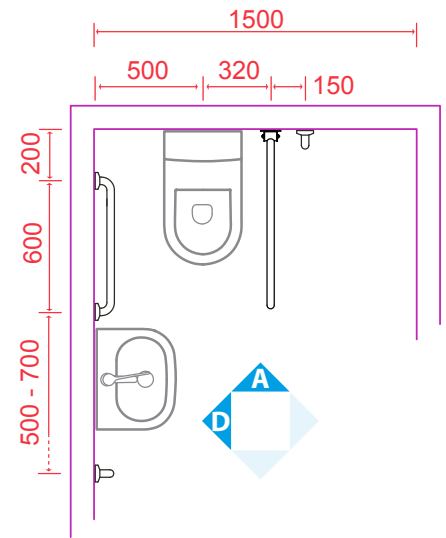


Product used in this configuration

- 1 G01JAS04xx Safety Grab Rail - Straight
- 2 F17AGN03xx Toilet Roll Holder

WC cubicle for wheel chair access

Recommendations	BS 8300:2009 + A1:2010
Toilet	
Mounting height	Top surface of WC seat 480 mm, WC pan can accept a variable height toilet seat riser
Depth of toilet	750 mm.
Distance to the wall	Centre of WC to wall 500 mm.
Adjustable Support Arm	Adjustable Support Arm provided on the wall side at a distance of 320 mm. from the centre line of WC. Height 680 mm. above floor. Should extend 50-100 mm. beyond the front of the WC. Horizontal support rail on the wall adjacent to the WC 600 mm.
Horizontal grab rail	Mounting height 680 mm. above floor, length 600mm.. Distance 200-250 mm. from the back wall, clearance 50-60 mm. between the rail and the wall
Vertical grab rail	Length 600 mm., 470 mm. from the WC centre line. Centre line 1100 mm. above floor level
Toilet Roll Holder	Should be suitable for single hand use. Should be easily accessible from a wheelchair, seated on the WC or for a standing person
Shelf	Where a high or low level cistern is used, a shelf 125 - 150 mm deep, preferably 400 mm. wide should be provided preferably to the WC pan, top of surface 950 mm.

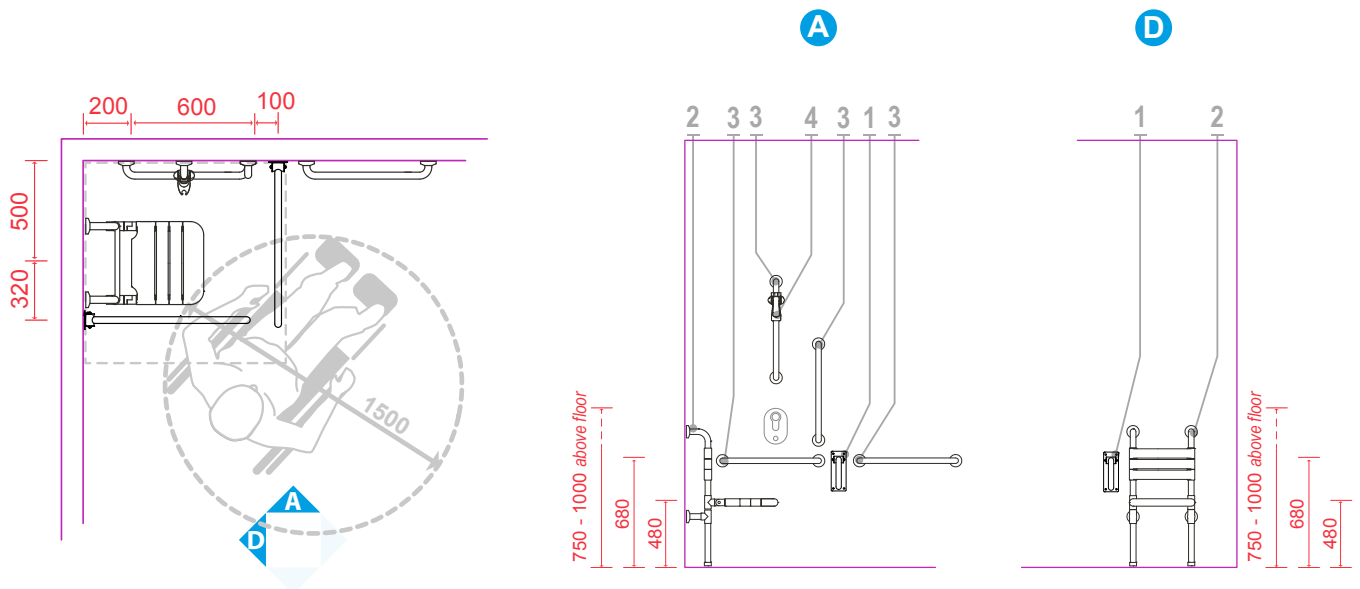


Product used in this configuration

- 1 G01JAS04xx Safety Grab Rail - Straight
- 2 F17AGN03xx Toilet Roll Holder
- 3 G41JCS10xx Adjustable Support Arm

Shower area for wheel chair access

Recommendations	BS 8300:2009 + A1:2010
Shower	
Wheelchair turning space	1500 x 1500 mm.
Floor surface	Should be slip-resistant
Foldable shower seat	Seat height 480 mm., centre of seat to wall 500 mm.; Projection 650 mm., backrest at 200 mm. distance from the back wall
Adjustable Support Arm	Mounting height 680 mm. above floor, on side and far wall. Adjustable Support Arm provided on the side wall at a distance of 320 mm. from the centre line of the seat. Adjustable Support Arm provided on the far wall at a distance of 900 mm. from the back wall.
Horizontal grab rail	Mounting height 680 mm. above floor, length 600mm.. Distance 200 mm. from the back wall
Vertical grab rail	Length 600 mm. minimum, height 800 mm. above floor level
Shower Hand Set Holder	Mounted on a vertical rod, adjustable between 1050 to 1850 mm.. Distance 500 mm. to the back wall
Shower controls	Height range 750 to 1000 mm. above the floor, water temperature not exceeding 43° Celsius
Accessories	Soap tray, towel rail
Shower curtain	Operated from the shower seat, should enclose the seat and rails. Dimensions 1000 - 1200 mm.
Hooks	Located at height of 1050 and 1400 mm.

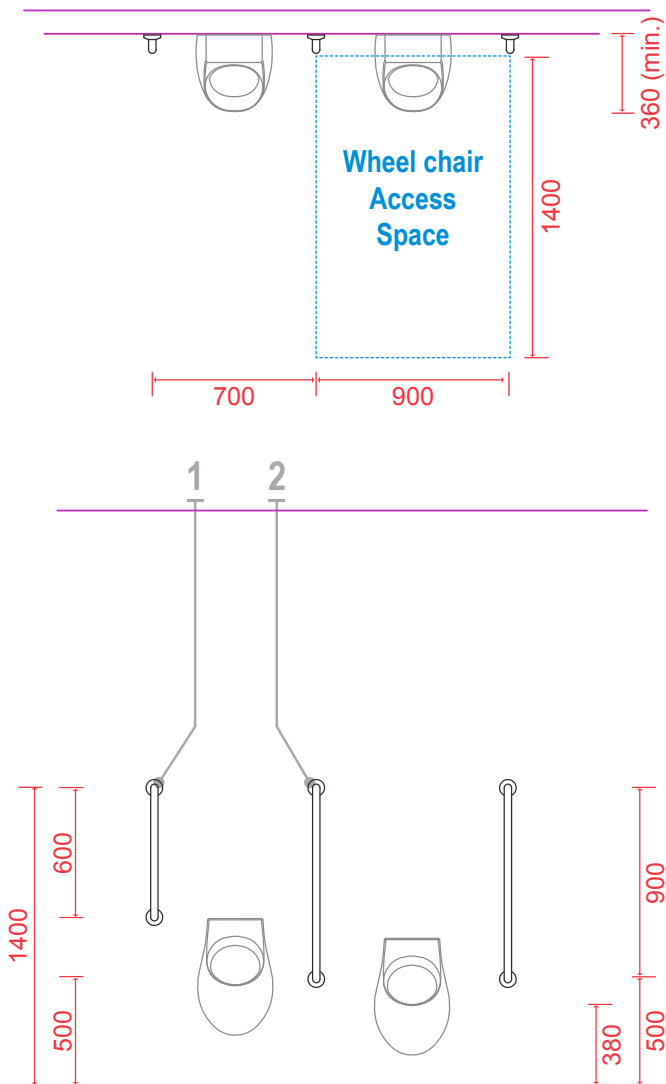


Product used in this configuration

- 1 G41JCS10xx Adjustable support Arm
- 2 G27JDS20xx Folding shower seat
- 3 G01JOR01xx Safety Grab Rail - 90°
- 4 Y87JOS04xx Shower Hand Set Holder

Urinal area for ambulant/disable people access

Recommendations	BS 8300:2009 + A1:2010
Urinal	
Access space	900 mm. wide, 1400 mm. depth wheelchair, access space
Rim height urinal	500 mm. for standing users; 380 mm. for wheelchair users; Urinal rim should project at least 360 mm. from the wall face
Vertical grab rail	600 mm. long for standing users; 900 mm. long for wheelchair users
Mounting height grab rail	Top fixing 1400 mm. above the floor
Distance grab rail	Distance grab rail 760 mm. standing users; 900 mm. wheelchairs users
Contrast	Urinal should contrast visually with the wall it is attached to



Product used in this configuration

- 1 G01JAS04xx Grab Rail - Straight
- 2 G01JAS07xx Grab Rail - Straight





General Index

Contents	3	G01JRS12xx	15
Product Features	5	G01JRS13xx	15
Safety Grab Rails - Straight		Ceiling Shower Support Rod	
G01JAS01xx	7	G01JTS10xx	15
G01JAS02xx	7	G01JTS11xx	15
G01JAS03xx	7	G01JTS12xx	15
G01JAS04xx	7	G01JTS13xx	15
G01JAS05xx	7	Detachable joint	
G01JAS06xx	7	Y88JNS17xx	17
G01JAS07xx	7	Shower Hand Set Holder	
G01JAS44xx	7	Y87JOS04xx	17
Safety Grab Rail - 135°		Shower Curtain Rings	
G01JAS08xx	7	Y87JSS03	17
G01JAS20xx	7	Mirror Fixings	
Safety Grab Rail - 90°		F17ATN01xx	17
G01JOR01xx	7	Toilet Roll Holder	
G01JOL01xx	7	F17AGN03xx	17
Adjustable Support Arm		Planning	18
G41JCS09xx	8	Specification Guidelines	20
G41JCS10xx	8		
G41JCS47xx	8		
Backrest Support System			
G27JDS29xx	8		
Bathroom Stool			
G01JDS44xx	11		
Removable Shower Seat			
G40JDS17xx	11		
Removable Shower Seat (with folding feature)			
G40JDS40xx	11		
Foldable Shower Seat			
G27JDS20xx	12		
Foldable Double Shower Seat			
G02JDR29xx	12		
G02JDL29xx	12		
Foldable Shower Seat (with backrest)			
G30UHS03xx	12		
Foldable Bath Seat			
G01JDS37xx	13		
G01JDS38xx	13		
G01JDS57xx	13		
G01JDS58xx	13		
L-Shaped Shower Curtain Rail			
G01JRS11xx	15		



Ask us about our installation service.
Install with Intastop



Intastop Ltd. Holly Street Kelham industrial Estate, Doncaster, South Yorkshire DN1 3TR United Kingdom
Tel.: +44 (0) 1302 364666 • Fax: +44 (0) 1302 364777 • E-mail: sales@intastop.com • www.intastop.com

Find us on

